

EWVO

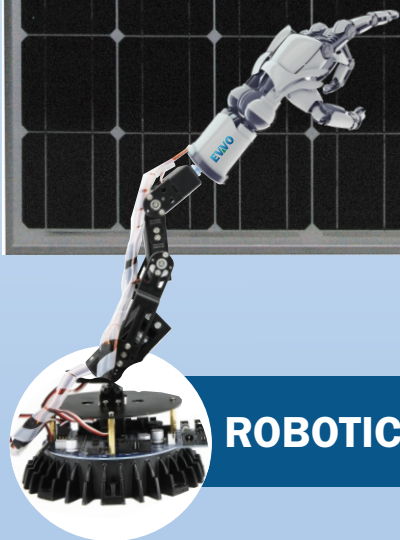
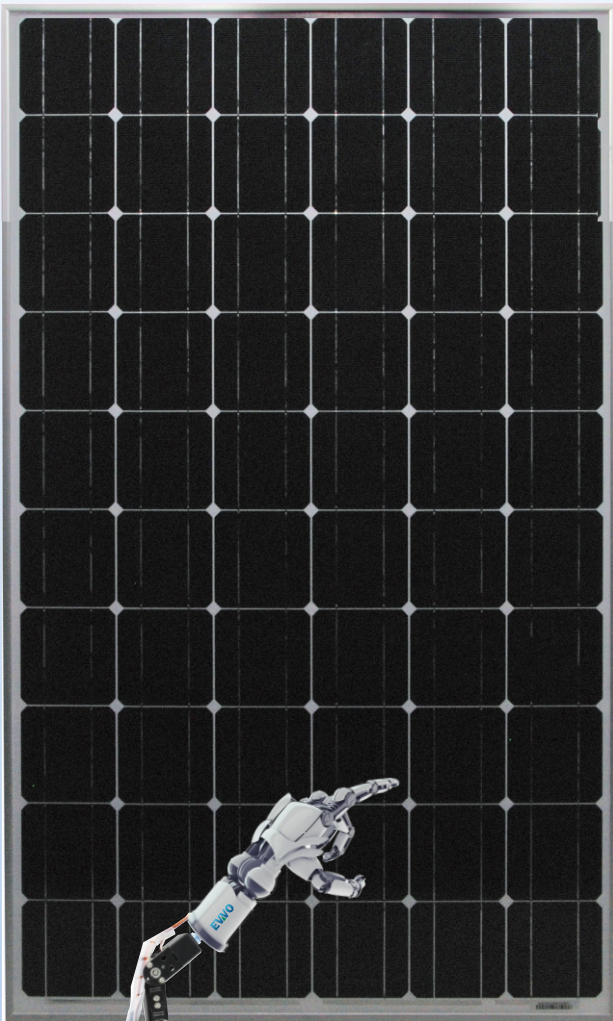
WORLD CLASS SOLAR MODULES

60 Cells
Monocrystalline
Module

290-320W
Power Output Range

17.8-19.7%
Maximum Efficiency

0~+5w
Power Tolerance



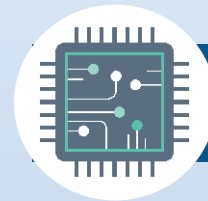
ROBOTIC PLANT

PRODUCT WARRANTY
12
Years
PRODUCT WARRANTY

PERFORMANCE WARRANTY
30
Years
PERFORMANCE WARRANTY



WORLD
CLASS
PRODUCTS



FULLY
AUTOMATED
ADVANCED
SOLAR PLANT

100%

100%
A GRADE
CELLS ONLY



EVERY
MODULE DOUBLE
TESTED
& CHECKED



PRODUCTION
BASE IN
VIETNAM



NO
COMPROMISE
ON QUALITY



CE





WORLD CLASS SOLAR MODULES

PRODUCT SPECIFICATIONS



● Maximize limited space with top-end efficiency

- Up to 180 W/m² power density
- Low thermal coefficients for greater energy production at high operating temperatures
- 1500V UL/1500V IEC certified

● HIGHLY RELIABLE DUE TO STRINGENT QUALITY CONTROL

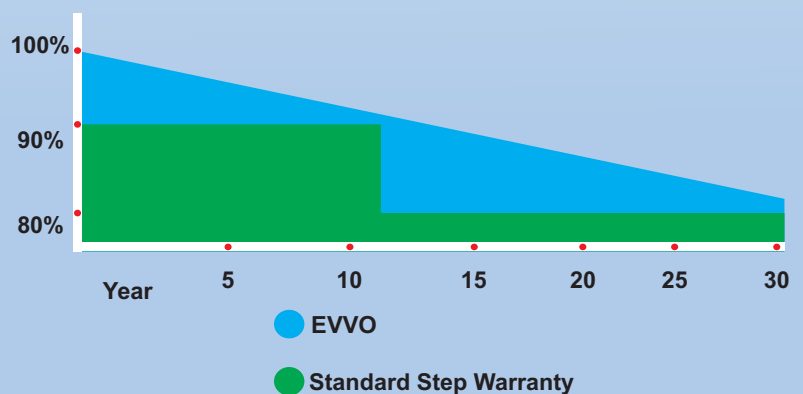
- Over 30 in-house tests (UV, TC, HF, and many more)
- In-house testing goes well beyond certification requirements
- 100% EL double inspection

● CERTIFIED TO WITH STAND CHALLENGING ENVIRONMENTAL CONDITIONS

- 2400 Pa wind load
- 5400 Pa Snow load
- 35 mm hail stones at 97 km/h

LINEAR PERFORMANCE WARRANTY

12 Year Product Warranty
30 year Linear Power Warranty



Electrical Specifications (standard test conditions)

Maximum Power -P _{MAX} (Wp)	290	295	300	305	310	315	320
Power Tolerance -P _{MAX} (W)	0 ~ +5%						
Maximum power point of operating voltage -P _{MPP} (V)	32.2	32.5	32.6	32.9	33.2	33.5	33.8
Maximum power point of operating current) -I _{MPP} (A)	9.01	9.08	9.19	9.28	9.31	9.34	9.37
Open circuit voltage -V _{oc} (V)*	38.9	39.7	39.9	40.0	40.3	40.7	41.0
Short circuit current - IM (A)	9.66	9.68	9.77	9.85	9.88	9.91	9.94
Module Efficiency η_m (%)	17.8	18.1	18.3	18.7	19.1	19.4	19.7

Standard test conditions under Measured Value:(air quality AM1.5, Irradiance 1000W / m², cell temperature 25 °C)

Electrical Index (under nominal operating cell temperature conditions)

Maximum Power -P _{MAX} (Wp)	216	220	223	227	230	234	237
Maximum power point of operating voltage -P _{MPP} (V)	29.9	30.2	30.4	30.6	30.8	31.0	32.0
Maximum power point of operating current) -I _{MPP} (A)	7.23	7.28	7.35	7.42	7.47	7.51	7.56
Open circuit voltage -V _{oc} (V)*	36.7	36.9	37.1	37.3	37.5	37.7	37.9
Short circuit current - IM (A)	7.67	7.71	7.78	7.84	7.89	7.94	7.99

NOCT: Irradiance 800W / m², ambient temperature of 20 °C, wind speed 1m / s

Temperature Rating

Limit parameter

Nominal Operating Cell Temperature (NOCT)	44°C (±2°C)	Working Temperature	-40~+85°C
Maximum power (P _{MAX}) Temperature Coefficient	- 0.39%/°C	Maximum system voltage	1500V DC (IEC)
Open-circuit voltage (VOC) Temperature Coefficient	- 0.29%/°C		1500V DC(UL)
Short circuit current (ISC) Temperature Coefficient	0.05%/°C	Maximum fuse rated Current	15A

Mechanical Specifications

Solar cell Type	156.75mm × 156.75mm Mono -crystalline
Number of Cells	1 module 60pieces (6 × 10)
Dimensions	1640 × 992 × 35 mm
Weight	18.6 kg
Glass	3.2mm, High transparency, anti-reflective coatings toughened glass
Backsheet	White /Black
Frame	Silver, anodized aluminum
Junction Box	Protection level IP 68
Cable	4.0 mm ² , 1000 mm Photovoltaic dedicated cables
Connector	MC4 compatible

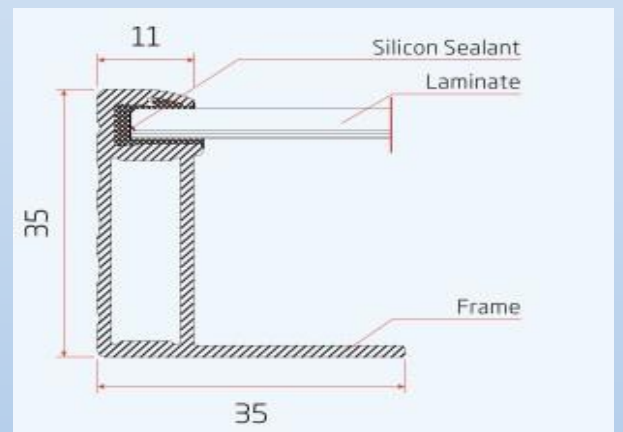
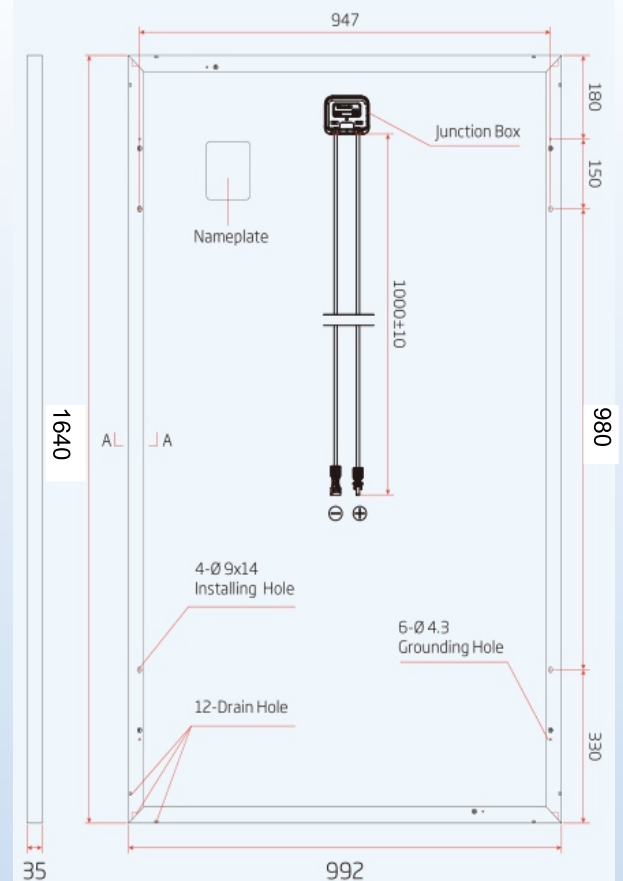
P60 Module Packing

Name	Dimensions (mm)	Weight (kg)
Pallet	1680*1130*123mm	29
Carton Box(30pcs)	1670*1120*1000mm	10
Carton Box (2pcs)	1670*1000*80mm	2

Maximum stacking height of P60 Module Packing : 30 pcs per box allow stacking of the same 30 pcs box , Plus 2 boxes per box 2pcs ;

30 pcs single pallet dimension height : 1123mm Weight : 598KG

Height of 2 pallet stacking 2 pallet per box 2pcs : 2406mm Weight : 1243.4KG



Packaging Method

Modules per box: 30 pcs

Modules per 40 ft container: 840 pcs

* Installation depends on the mechanical load

Authorized Dealer

Registered Office :

Commercial Centre,
27 Hillier Street, Sheung Wan,
Hong Kong,Asia.

Contact : +91 7338821798

E-Mail : info@evvosolar.com

Skype : evvosolar

Manufacturing Unit :

Tien Son Industrial Zone,
Hoan Son Commune,
Tien Du District, Bac Ninh

E-Mail :

vietnam@evvosolar.com

Global Sales Office :

Sidco Industrial Estate,
Ambattur, Chennai - 600053
India.

Contact : +91 7338821798

E-Mail : sales@evvosolar.com

Skype : evvosolar

